

The **TINY COMPACT**

Latest technology in a small case.

Manufactured for
Look – SOLUTIONS MADE IN GERMANY



battery fog generator

small, quick, efficient

one-hand-operating

made in Germany

Based on the current digital control technology we have designed, together with the manufacturer OTTEC Nebelmaschinen, the **TINY COMPACT**.

Machine

The **TINY COMPACT** is a handy, compact battery-driven fog generator. Its easy handling and quick start-up is outstanding.

With its warming up time of less than a second, its light weight (1450 grams) and the small dimensions (L=207 x W=68 x H=105 mm), this machine is applicable in many fields of operation.

In the world of theater, film, TV- and photographers, musicals and special effects, air flow and air tightness testing – everywhere where fog is needed quickly and unobtrusively, the **TINY COMPACT** is the perfect alternative to normal fog machines.

Technology

All components of the machine have been built into a small and robust case.

Just like the TINY-FOGGER, the heart of this machine is a microprocessor which controls and supervises all important functions. This guarantees a continuous and safe running of the generator.

Because of an intelligent control mechanism the battery supplies energy only when necessary. Thus the operation time is considerably increased compared to other battery-powered machines.

Operation

To put the **TINY COMPACT** into operation, few steps are necessary:

The fluid tank, which is fitted to the case, has to be filled with fluid.

The supplied 12V-battery has to be inserted into the case. It engages itself.

Now the machine is ready to use. It can be started immediately and continuously without any warming up time.

With one battery you can produce up to 10 minutes of continuous output or up to 150 puffs of 5 sec. When the battery is flat, you can quickly change it for a spare (optional) and so ensure continuous output.

The **TINY COMPACT** can easily be triggered with one hand. The start button is placed on the comfortable grip and can be pressed with the thumb.

A special fluid ensures that dense fog is produced with the lowest of fluid consumption.

The Vaporizer can be easily changed by the user on site.

Control

The **TINY COMPACT** can be optional controlled in the following ways:

With a DMX-converter the machine can be triggered via DMX 512.

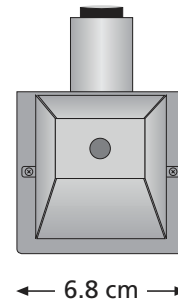
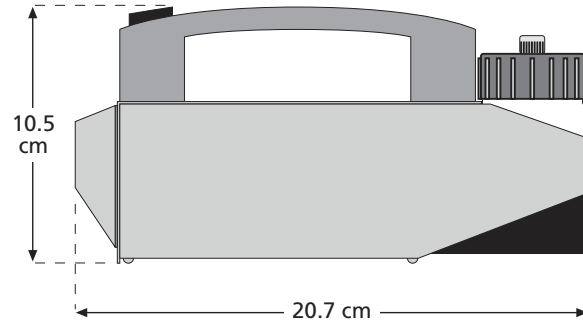
With a Timer you can programme in the fogging time and the fog-free time.

The **TINY COMPACT** can also be triggered with a radio remote control.

Technical data

Procedure	vaporizing fog machine
Power requirement	70 Watt
Voltage	12 V battery
Warm up time	0.5 sec.
Fluid tank capacity	50 ml
Fluid consumption	2.3 ml/min. with continuous output
Continuous output with battery	10 min
Control	Startbutton Radio remote (Option) DMX 512 (Option) Timer (Option)
Temperature control	Microprocessor
Dimensions (L x W x H)	20.7 x 6.8 x 10.5 mm
Weight incl. battery	1450 g

Dimensions



Advantages

- Small dimensions, light weight
- Battery supplies energy only when necessary
- Warm up time less than 1 second
- Continuous output
- Lowest fluid consumption
- Easy handling
- Triggered with the start button or the optional radio remote, DMX-converter and timer
- Manufactured in Germany

Package includes

- TINY COMPACT
- Battery
- Charger
- Fluid tank
- 250 ml Fluid

Accessories

- Radio remote
- Duct adaptor
- Y-Splitter
- Silicon hose \varnothing 15 mm
- DMX converter
- Timer
- Case

Service

Based on the strong partnership with the German manufacturer OTTEC Technology GmbH, Look Solutions is able to provide a quick and easy service which guarantees the high quality of all products with the motto „innovation by communication“.