

Silent Storm Operations Manual



WARNING

- **Keep this device dry to prevent danger of electric shock.**
- **Use in 3-prong grounded electrical outlets only.**
- **Always unplug the machine before filling its tank.**
- **Turn off power when not in use.**
- **No user serviceable parts inside. Refer to your Le Maitre Special Effects dealer.**
- **For adult use only. Snow machine must be installed out of the reach of children.**
- **Never leave the unit running unattended.**
- **Do not aim out put nozzle directly at anyone.**
- **Locate the snow machine in a well-ventilated area.**
- **Never cover the unit's vents – to ensure adequate ventilation, allow a free air space of at least 1" around the unit.**
- **Never add flammable liquids (oils, gasses, or scent) to the snow fluid.**
- **Use only True North Snow Fluid in the machine.**
- **Always make sure there is sufficient fluid in the tank to prevent damage to the pump.**

M.S.D.S. Available by request or at www.lemaitrefx.com

CSA / UL inspected

INTRODUCTION

The Silent Storm is a snow machine, which can produce spectacular visual effects by creating an artificial snow flurry for distances of up to 40 ft. The machine comes with a remote control and is DMX compatible. It is designed for applications requiring quite operation.

It can be seated, or mounted on an optional truss mount bracket. Adjustable distance and volume of snow can be used to achieve different visual effects.

With proper usage and regular maintenance the Silent Storm will provide years of snow making effects.

OPERATING INSTRUCTIONS

The Silent Storm snow machine requires 120 volts ac at 10 amps. The unit can be operated from a wired hand held remote or from a DMX control signal. When DMX data is present the hand held remote is ignored. A valid DMX signal causes a LED to light on the rear of the machine.



The blower starts before the pump, to allow it to come up to speed. When shut off, the blower runs for several seconds to purge the system. The pump rate is dependent on the blower settings. Low blower settings restrict pump range.

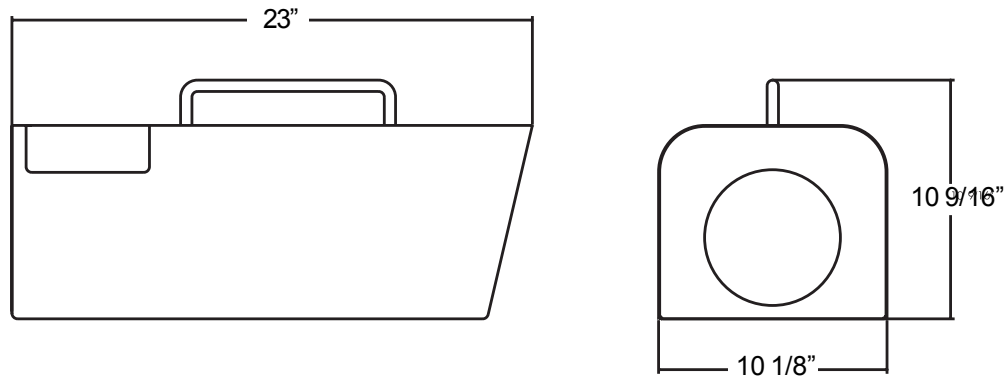


The remote has an On/Off switch with power LED and two flow control knobs. It plugs into the rear of the machine. The remote may be extended with a 100' cable. The first knob has a cloud illustration and controls the air speed. Fluid output is controlled by the second knob, which is denoted with a snowflake. As the air speed is reduced the maximum fluid rate is also reduced to prevent excess foam from forming on the nozzle. A range of flake size, noise levels and distances can be achieved by adjusting the two controls.

If the DMX control is used the remote does not need to be installed. DMX control data can also vary the blower and fluid flow. Set the base DMX address on the rear of the machine. The base DMX address controls the air speed but the The base address +1 controls the fluid output rate. Don't set the base DMX address above 511.

TECHNICAL SPECIFICATIONS

Model:	Silent Storm DMX Snow Machine
Type:	Snow Making System
Size:	Height = 10 9/16" (268 mm) Width = 10 1/8" (257 mm) Length = 23" (585 mm)
Net Weight:	22 lbs (10 Kg)
Weight with Fluid:	32 lbs (14.5 Kg)
Power Rating:	120 VAC, 60 Hz, 10 Amps
Included:	Remote



MAINTENANCE

The fluid pump is subject to burn out if run dry for any period of time. Take care when priming the pump when changing jugs. Keep the air intake ports on the bottom of the chassis free from blockage. With time the sock may accumulate residue, which will impede performance. Running clear water through the machine and rinsing off the sock will restore performance. If storing for extended periods of time flush the unit with clear water. Protect the unit from freezing. In extreme cold, performance will be reduced.

EXTERIOR

To clean, wash with mild soap and warm water.

RECOMMENDED FLUIDS

Use only “True North Snow Fluid”

WARRANTY

Warranty is one-year parts and labour unless specified and is on manufacturer defect only. Abuse or poor maintenance is not accepted. Le Maitre fluids must always be used. Any trace of other fluids will automatically void **ALL** warranties. Accept no substitutions, as there are no exceptions to this rule. Proof of purchase or proof of sale must always accompany any warranty returns. A return authorization number must be noted on the outside of any box returned to our facilities. Our receiving department will not accept any packages without a clearly marked RA number. Freight on warranty items is freight prepaid to our facility and we will prepay freight back to your facility after repair, by the most economical means available. Should you require the item express-returned, you are responsible for any difference in freight cost.

RETURN POLICY

Return of any product must be done within 30 days of purchase. The package must be returned freight prepaid and the RA number marked clearly on the outside of the box. A restocking charge of up to 25% may be levied. Only credits are issued to the dealers account. Any product not returned within 30 days is considered purchased.

WARNING

Le Maitre Special Effects Inc. considers all its products to be safe for use in the application it was intended. Le Maitre Special Effects takes no responsibility for misuse or incorrect use. Always refer to equipment owner’s manual for proper use.

ACCESSORIES / FLUID

True North Snow Fluid (4L) - part # CFF-3640
True North Snow Fluid (20L Box) - part # CFF-3620B
True North Snow Fluid (205L Drum) - part # CFF-3655
Truss Mount Bracket - part #CLF-2635
Fluid Delivery System (FDS) - part # CLF-4145
Industrial Option – part # CLF-4550



Truss Mount Bracket # CLF 2635



Industrial Option # CLF 4550

CONTACT INFO

Le Maitre Special Effects

Canada

1960 Blue Heron Drive London, Ont. N6H 5L9

Phone direct (519) 659-7972

Phone direct Toll-free (800) 388-0617

Fax: (519) 659-7713

Service (866) 534-5557

USA

3665 Dove Road, Port Huron, MI 48060